


# PRODUCT SHEET

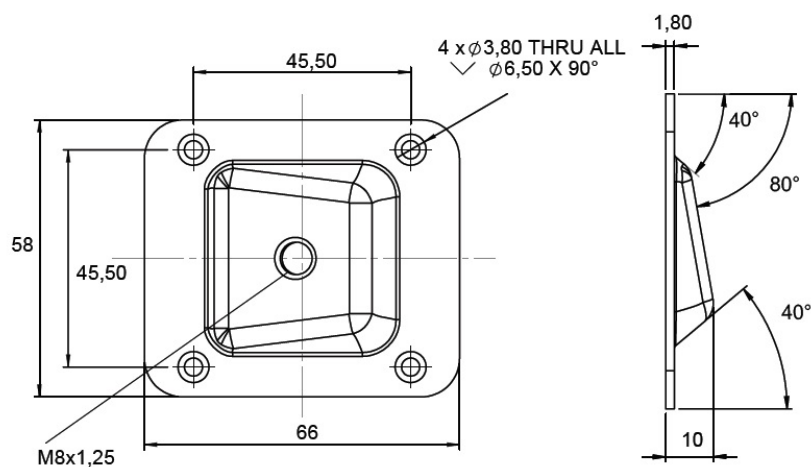
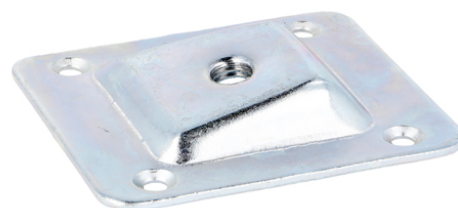
## Description:

Leg Bracket, Steel BZP, F/M8 Bolt, 10 DG Angle, 66 x 58 mm

## Item number:

06.11.150-1

Units	Box	Carton	HS Code	Barcode
Pcs.	1	400	8302420090	 5704866485050



## SISO A/S

Mileparken 11  
DK-2740 Skovlunde  
Denmark  
VAT: DK 24786013

Phone +45 45 830 900

[www.siso.dk](http://www.siso.dk)  
[siso@siso.dk](mailto:siso@siso.dk)

Danske Bank  
Nytorv Branch  
Copenhagen  
SWIFT: DABADKKK

Account no.  
4180 3112 112936  
IBAN Account  
DK7230003112112936